

A

B

C

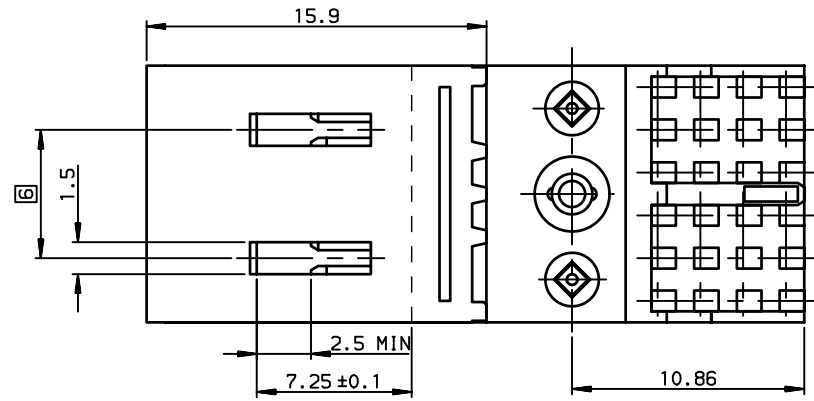
D

A

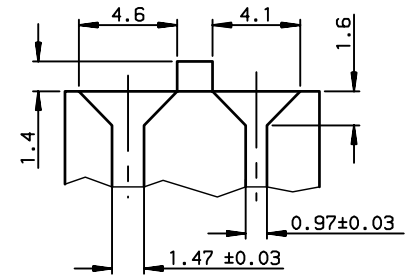
B

C

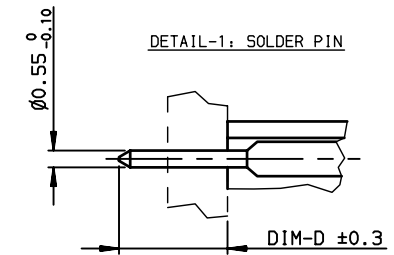
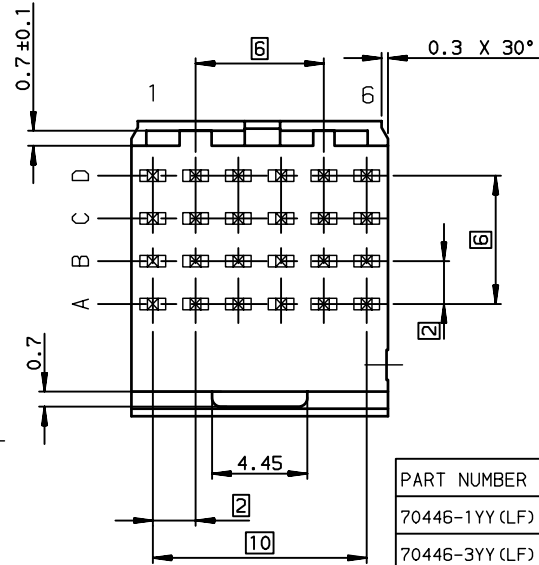
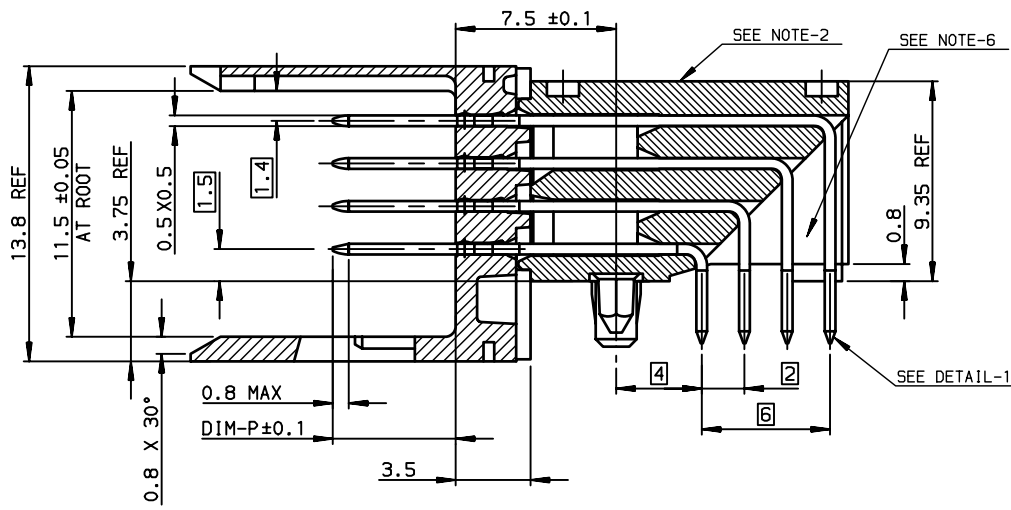
D



DETAIL-3: MATING SLOTS



- NOTE-1: GENERAL CHARACTERISTICS ACCORDING TO GS-12-446
- NOTE-2: ONE CENTER PEG FOR HOLD DOWN FORCE
- NOTE-3: NO CODING RECESS FOR EXTENDED KEYS
- NOTE-4: PRODUCT MARKING = PRODUCT NUMBER + FCI+DATE CODE
- NOTE-5: PLATING ON MATING PART ; SEE PRODUCT NUMBER
- NOTE-7: STANDARD PACKAGING IS TUBE ,BUT IF SUFFIX "P" IS ADDED IN P/N,PACKAGING IS IN TRAYS,MARKING IS WITHOUT "P"  
Example: 70446-1xxPLF ,marking 704456-1xxLF



PART NUMBER	PERFORMANCE LEVEL
70446-1YY(LF)	STANDARD P/N, See Prod. Spec GS-12-446
70446-3YY(LF)	CUSTOMER SPECIAL , Specific Plating
70446-xYY(LF)	

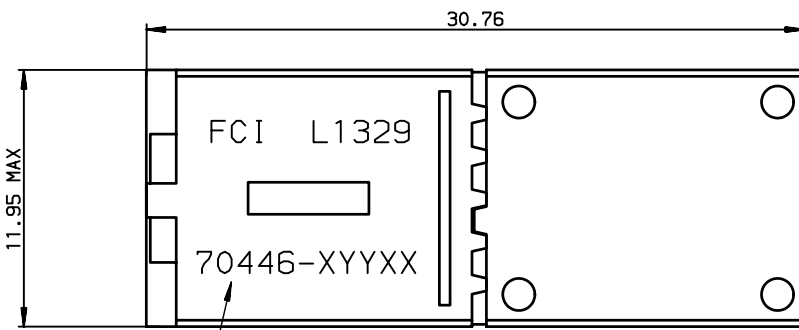
**GENERAL CHARACTERISTICS AND ROHS INFORMATIONS**  
 See **PRODUCT SPECIFICATION : GS-12-446**

OTHERS INFORMATIONS,SEE DRW 70446-2/-3

European Views

www.fciconnect.com		surface ISO 1302	tolerance std ISO 406 ISO 1101	projection mm	TOLERANCES UNLESS OTHERWISE SPECIFIED	
Dr	FETROW	1998/06/09	ANGULAR	LINEAR	0.X ± 0.1	size A3
Eng	LENOIR	1998/06/09	0.XX ± 0.1	0.XX ± 0.1	Scale 4	ECN LS07-0245
Chr	LEGARE	1998/06/09	0.XX' ± 2'	0.XXX ± 0.1	Product family	METRAL Spec ref -
Appr	LEGARE	1998/06/09	Product family		METRAL	
FCI title		METRAL RA HDR STB CONVERG		dwg no		70446-1
NB 4x6 - 1 MODULE- SPECIAL LOADING		catalog no		CUSTOMER		sheet 1 of 3

rev	ecn no	dr	date
E	-	PCH	2004/01/14
F	LS05-0056	LGO	2005/07/06
G	LS06-0114	LGO	2006/08/10
H	LS07-0134	MLE	2007/05/14
J	LS07-0245	MLE	2007/09/27
-	-	-	-
-	-	-	-



SEE NOTE-4



Copyright FCI.

LEAD FREE P/N: 70446-X01LF							CTS LOADING PATTERN								
TIN LEAD P/N: 70446-X01							CTS LOADING PATTERN								
DIM-P	1	2	3	4	5	6									
ROW-D		5.00		5.00		5.00									
ROW-C	5.00					5.00									
ROW-B		5.00		5.00		5.00									
ROW-A	5.00					5.00									
DIM-D = 2.9±0.3							NUMBER OF CTS = 10								

( ALSO, REPLACE B-STYLE P/N: 89053-X09 )

LEAD FREE P/N: 70446-X02LF							CTS LOADING PATTERN								
TIN LEAD P/N: 70446-X02							CTS LOADING PATTERN								
DIM-P	1	2	3	4	5	6									
ROW-D		5.00		5.00		5.00									
ROW-C	5.00		5.00		5.00										
ROW-B		5.00	5.00	5.00	5.00	5.00									
ROW-A	5.00	5.00	5.00	5.00	5.00	5.00									
DIM-D = 2.9±0.3							NUMBER OF CTS = 17								

( ALSO, REPLACE B-STYLE P/N: 89053-X01 )

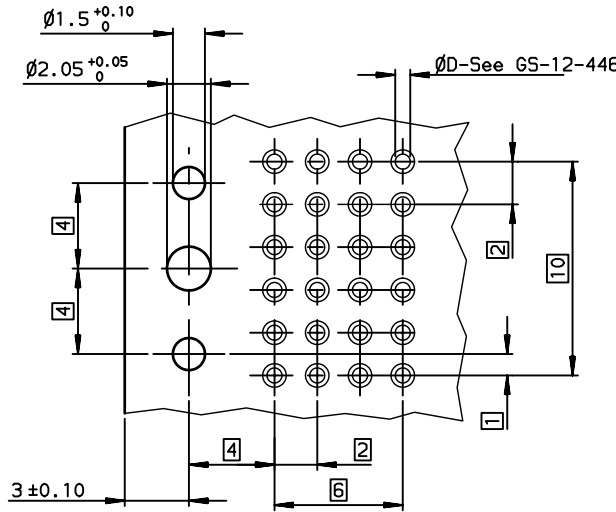
LEAD FREE P/N: 70446-X03LF							CTS LOADING PATTERN								
TIN LEAD P/N: 70446-X03							CTS LOADING PATTERN								
DIM-P	1	2	3	4	5	6									
ROW-D	5.75	5.75	5.75	5.75	5.75	5.75									
ROW-C	5.75	5.75	5.75	5.75											
ROW-B	5.75	5.75	5.75	5.75		5.75									
ROW-A	6.50	6.50	5.00	5.75		5.75									
DIM-D = 2.9±0.3							NUMBER OF CTS = 20								

( REPLACE B-STYLE P/N: 89053-X02 )

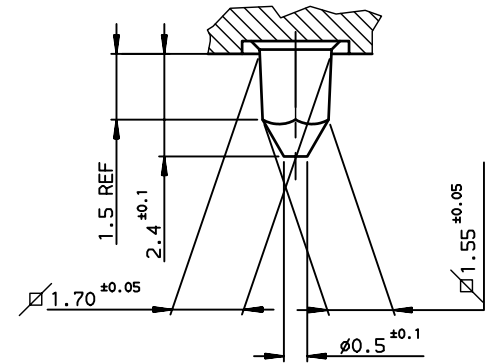
LEAD FREE P/N: 70446-X04LF							CTS LOADING PATTERN								
TIN LEAD P/N: 70446-X04							CTS LOADING PATTERN								
DIM-P	1	2	3	4	5	6									
ROW-D	5.75	5.75	5.75	5.75	5.75	5.75									
ROW-C	5.75	5.75	5.75	5.75	5.75	5.75									
ROW-B	5.75	5.75	5.75												
ROW-A	6.50	6.50	5.00		5.75	5.75									
DIM-D = 2.9±0.3							NUMBER OF CTS = 20								

( REPLACE B-STYLE P/N: 89053-X03 )

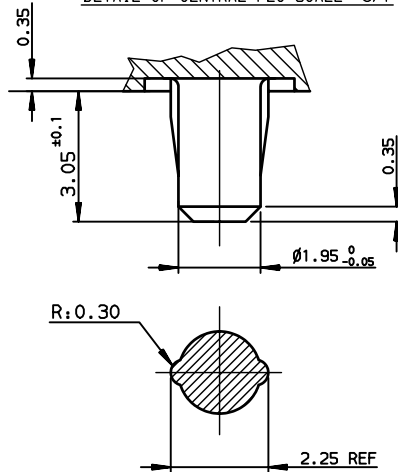
RECOMMENDED PCB LAYOUT



DETAIL OF LOCATING PEGS (2x) SCALE 8/1



DETAIL OF CENTRAL PEG SCALE 8/1



NOTE-20: PTH DIMENSIONS - Ø  
- DRILL DIAMETER = 0.85 REF AND PLATING  
SEE PRODUCT SPEC. : 65-12-446

OTHERS INFORMATIONS, SEE DRW 70446-1/-3

European Views

www.fciconnect.com		surface ISO 1302 ✓	tolerance std ISO 406 ISO 1101	projection mm	TOLERANCES UNLESS OTHERWISE SPECIFIED	
Dr	FETROW	1998/06/09	ANGULAR	0.X	±0.1	size A3
Eng	LENOIR	1998/06/09	LINEAR	0.XX	±0.1	Scale 4
Chr	LEGARE	1998/06/09	0.XX' ±2'	0.XXX	±0.1	ECN LS07-0245
Appr	LEGARE	1998/06/09	Product family	METRAL	Spec ref	-
FCI title METRAL RA HDR STB CONVERG			dwg no 70446-2		Rev. J	
catalog no			CUSTOMER		sheet 2 of 3	



Copyright FCI.

LEAD FREE P/N: 70446-X05LF							CTS LOADING PATTERN						
TIN LEAD P/N: 70446-X05							CTS LOADING PATTERN						
DIM-P	1	2	3	4	5	6							
ROW-D	5.00	5.00			5.00	5.00							
ROW-C	5.00	5.00			5.00	5.00							
ROW-B	5.00	5.00			5.00	5.00							
ROW-A	5.00	5.00			5.00	5.00							
DIM-D =2.9±0.3							NUMBER OF CTS = 16						

( REPLACE B-STYLE P/N: 89053-X04 )

LEAD FREE P/N: 70446-X08LF							CTS LOADING PATTERN						
TIN LEAD P/N: 70446-X08							CTS LOADING PATTERN						
DIM-P	1	2	3	4	5	6							
ROW-D	5.00		5.00	5.00	5.00	5.00							
ROW-C	5.00		5.00	5.00	5.00	5.00							
ROW-B		5.00	5.00	5.00	5.00	5.00							
ROW-A	5.00	5.00	6.50	6.50	5.00	5.00							
DIM-D =2.9±0.3							NUMBER OF CTS = 21						

( REPLACE B-STYLE P/N: 89053-X07 )

LEAD FREE P/N: 70446-X06LF							CTS LOADING PATTERN						
TIN LEAD P/N: 70446-X06							CTS LOADING PATTERN						
DIM-P	1	2	3	4	5	6							
ROW-D	5.00	5.00			5.00	5.00							
ROW-C	5.00	5.00			5.00	5.00							
ROW-B	5.75	5.75			5.75	5.75							
ROW-A	5.00	5.00			5.00	5.00							
DIM-D =2.9±0.3							NUMBER OF CTS = 16						

( ALSO,REPLACE B-STYLE P/N: 89053-X05 )

LEAD FREE P/N: 70446-X09LF							CTS LOADING PATTERN						
TIN LEAD P/N: 70446-X09							CTS LOADING PATTERN						
DIM-P	1	2	3	4	5	6							
ROW-D	5.00	5.00	5.00	5.00	5.00	5.00							
ROW-C	5.00	5.00	5.00	5.00	5.00	5.00							
ROW-B	5.00	5.00	5.00	5.00	5.00	5.00							
ROW-A	5.00	6.50	5.00	6.50	6.50	6.50							
DIM-D =2.9±0.3							NUMBER OF CTS = 24						

( ALSO,REPLACE B-STYLE P/N: 89053-X08 )

LEAD FREE P/N: 70446-X07LF							CTS LOADING PATTERN						
TIN LEAD P/N: 70446-X07							CTS LOADING PATTERN						
DIM-P	1	2	3	4	5	6							
ROW-D	5.00		5.00	5.00	5.00	5.00							
ROW-C	5.00		5.00	5.00	5.00	5.00							
ROW-B			5.00	5.00	5.00	5.00							
ROW-A	5.00	5.00	6.50	6.50	5.00	5.00							
DIM-D =2.9±0.3							NUMBER OF CTS = 20						

( REPLACE B-STYLE P/N: 89053-X06 )

LEAD FREE P/N: 70446-X10LF							CTS LOADING PATTERN						
TIN LEAD P/N:							CTS LOADING PATTERN						
DIM-P	1	2	3	4	5	6							
ROW-D	5.00	5.00	5.00	5.00	5.00	5.00							
ROW-C	5.00	5.00	5.00	5.00	5.00	5.00							
ROW-B	5.00	5.00	<b>6.50</b>	5.00	5.00	5.00							
ROW-A	5.00	5.00	<b>6.50</b>	5.00	5.00	5.00							
DIM-D =2.9±0.3							NUMBER OF CTS = 24						

European Views

www.fciconnect.com			surface ISO 1302 <input checked="" type="checkbox"/>	tolerance std ISO 406 ISO 1101	projection 	mm 	
TOLERANCES UNLESS OTHERWISE SPECIFIED						size A3	Scale 4
Dr	FETROW	1998/06/09	ANGULAR	0.X	±0.1	ECN LS07-0245	
Eng	LENOIR	1998/06/09	LINEAR	0.XX	±0.1	Spec ref -	
Chr	LEGARE	1998/06/09	0.XX' ±2'	0.XXX	±0.1		
Appr	LEGARE	1998/06/09	Product family	METRAL			
			title METRAL RA HDR STB CONVERG			dwg no 70446-3	
			NB 4x6 -1 MODULE- SPECIAL LOADING			Rev. J	
catalog no			-			CUSTOMER sheet 3 of 3	



Copyright FCI.